

ROTARY VALVES

TYPE RS

- **HEAVY DUTY ROTARY VALVE**
- **ROBUST CAST IRON OR STAINLESS STEEL BODY**
- **FLANGES DRILLED ROUND OR SQUARE**
- **VARIOUS OPTIONS AVAILABLE**

Britton Procol rotary valves are designed to transfer dry granular solids and powders in gravity, pressure or vacuum systems. They are able to operate under adverse conditions whilst maintaining high sealing and feeding efficiencies.

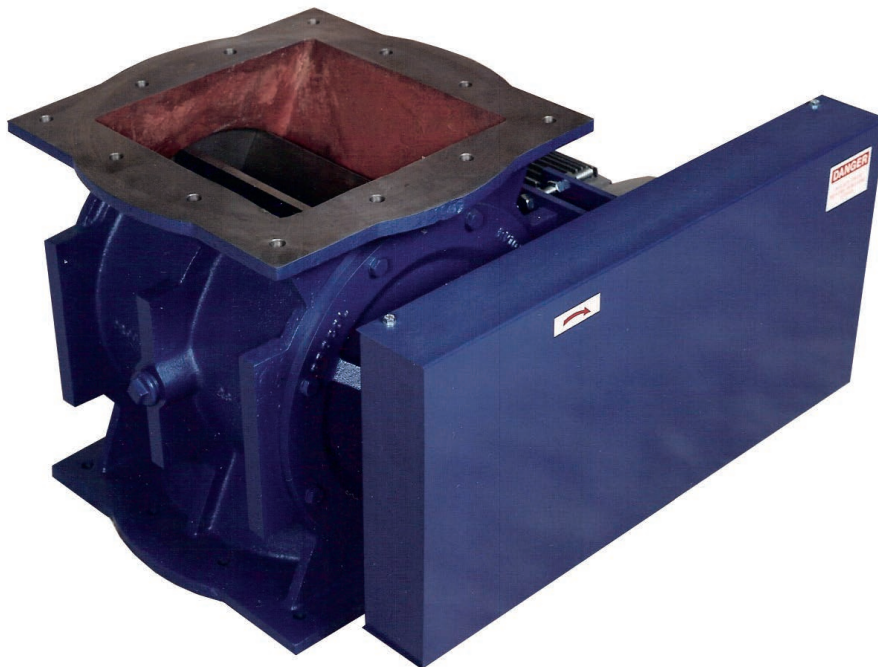
The valves are robustly constructed with body stiffening ribs to prevent distortion, integral shear planes in the valve inlet to reduce product shearing loads and large capacity rotors with heavy duty shafts to withstand high differential pressures across the valve.

Rotors are supported in sealed ball bearing outrigged from the valve endplates to prevent bearing contamination. Rotor shafts are sealed by packing glands with adjustable seal followers.

Britton Procol standard rotary valves incorporate a geared motor mounted from the valve body on a fabricated baseplate with adjustment for the fully guarded chain.

Whilst our standard valves are suitable for the majority of applications, we offer a wide variety of interchangeable components to enable Britton Procol valves to handle almost any product.

All Rotary valves have a square inlet aperture, round outlet aperture so they can have either square or round connecting ducting.



BRITTON PROCOL VALVES

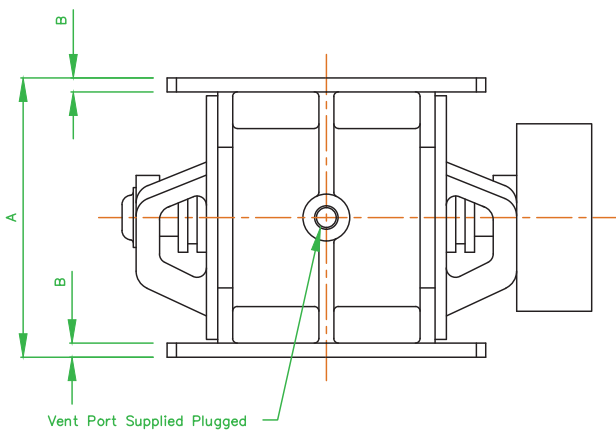
WRIGHTS DOWSON GROUP

*See over for
planning-in
dimensions*

Kynochs Industrial Estate Bideford Devon EX39 4DT

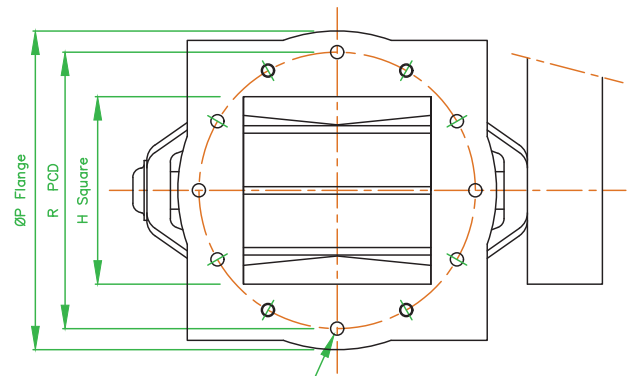
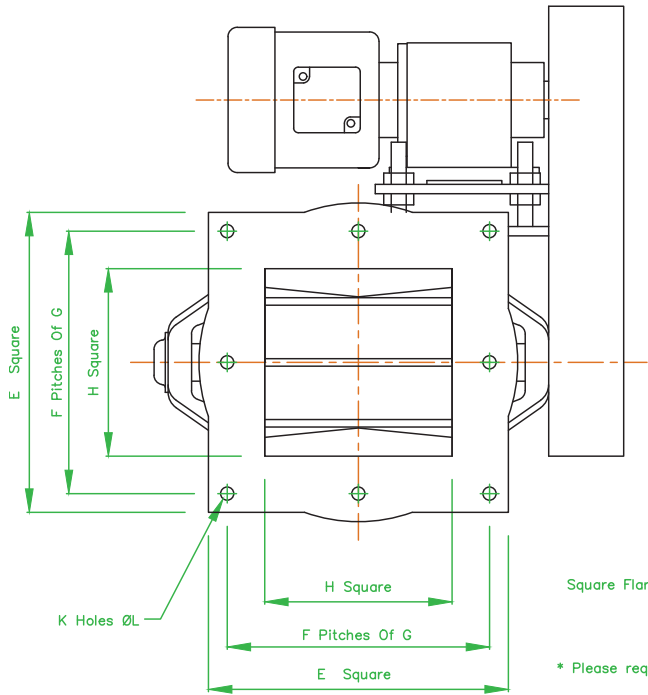
T: 01237 477465 E: sales@brittonprocol.com

www.brittonprocol.com



VALVE CAPACITY CHART

Valve size	m ³ /hr/rpm	ft ³ /hr/rpm
150	0.137	2.40
200	0.360	4.80
250	0.713	12.72
300	1.224	25.20
350	1.974	43.20
400	2.880	69.60
450	4.41	155.74
500	5.940	210.00
600	9.840	347.00



M Holes Drilled ØN Equi-spaced About PCD. Size 150-350 On Centres. (Holes Tapped If Necessary)

Flange Drillings To ASA 150, PN10 Etc Available As Alternative Options.

* Please request a G.A drawing prior to any subsequent manufacturing

VALVE SIZE	A	B	E	F	G	H	K	L	M	N	P	R	Drive Kw	Weight Kg
150	240	12	250	2	105	150	8	12	8	12	285	240	0.37	75
200	300	15	320	2	140	200	8	14	12	14	340	295	0.37	100
250	344	15	370	3	110	250	12	14	12	14	405	355	0.75	150
300	450	15	420	3	126	300	12	14	12	14	460	410	0.75	200
350	500	20	490	3	146	350	12	18	12	18	520	470	0.75	350
400	550	20	540	4	122	400	16	18	8	22	580	525	1.1	400
450	600	20	590	4	135	450	16	18	8	22	660	600	1.1	450



BRITTON PROCOL VALVES

WRIGHTS DOWSON GROUP

We are continually developing our products and accordingly we reserve the right to change specifications and dimensions without prior notice.

Kynochs Industrial Estate Bideford Devon EX39 4DT

T: 01237 477465 E: sales@brittonprocol.com

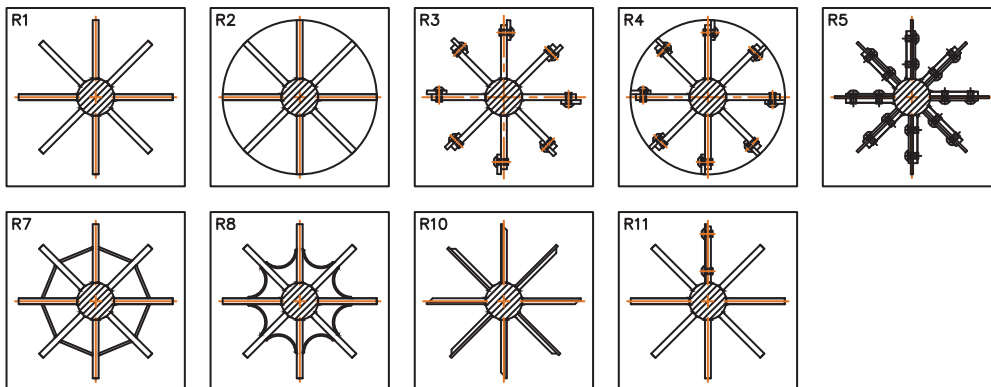
www.brittonprocol.com

VALVE OPTIONS:

- Air purged shaft seals
- High temperature bearings
- Stainless steel assembly
- Variable speed drives
- Rotation monitors
- ATEX rated geared motors
- Tungsten carbide coated internal surfaces
- Various rotor options

ROTOR OPTIONS

R1	Fixed blade open rotor	General purpose rotor fitted to the majority of valves. Suitable for non or mildly abrasive products.
R2	Fixed blade closed end rotor	Similar to R1. The end discs reduce valve endplate wear. Suitable for low or moderately abrasive products.
R3	Tipped blade open rotor	Blades fitted with adjustable, replaceable stainless steel tips. Suitable for use with abrasive products
R4	Tipped blade closed end	Similar to R3. The end disc reduce valve endplate wear. Suitable for abrasive products.
R5	Flexible blade open rotor	Suitable for product with larger granules, pellets, flakes or products that can smear.
R7	Reduced pocket rotor	Reduces the valve capacity but maintains the valve inlet/outlet size. Suitable for products that flow sluggishly.
R8	Scalloped pocket rotor	Provides a rounded pocket base to encourage material discharge. Suitable for use with slightly 'sticky' products.
R10	Chamfered blade rotor	Reduces the blade surface area in relation to the valve bore. Suitable for products that can smear.
R11	Open rotor with scraper blade	One rotor blade fitted with a scraper with extra close clearance. Suitable for products that can stick or smear.



BRITTON PROCOL VALVES

WRIGHTS DOWSON GROUP

We are continually developing our products and accordingly we reserve the right to change specifications and dimensions without prior notice.

Kynochs Industrial Estate Bideford Devon EX39 4DT

T: 01237 477465 E: sales@brittonprocol.com

www.brittonprocol.com