

IRIS VALVES

TYPE CVDL

- **SUITABLE FOR POWDERS OR GRANULES**
- **ALUMINIUM OR STAINLESS STEEL CONSTRUCTION**
- **SIZES 100 – 450mm**
- **MANUAL OPERATION**

The concept of the iris diaphragm valve is similar to that of the iris in a camera. Materials of construction are cast aluminium or 304 stainless steel. Diaphragm material is polyurethane coated polyester.



Type CVDL

In addition to the two flanges, an intermediate flange is introduced in the middle of the tubular diaphragm. The 'middle' or 'intermediate' flange is rotated while the other two flanges remain stationary. Since the middle flange rotates through 180 degrees, there is double locking of the diaphragm. An advantage of this design is that both flanges remain stationary, allowing the valve to be used inline.



BRITTON PROCOL VALVES

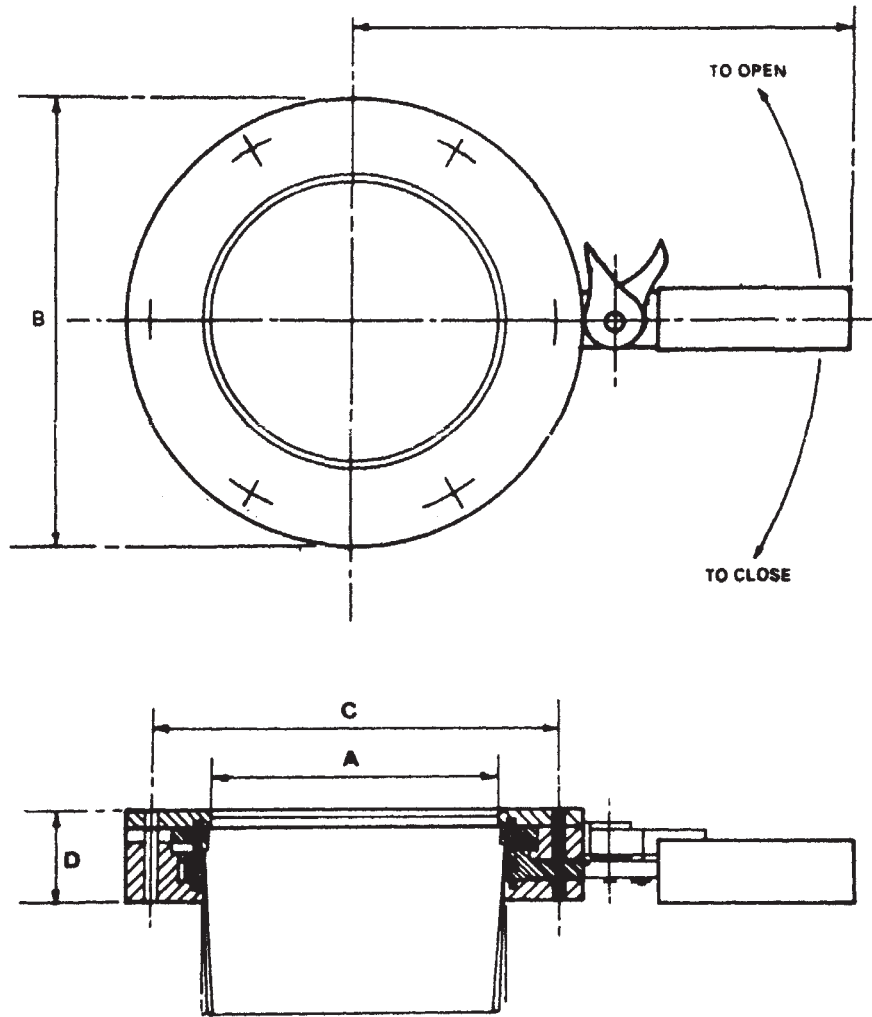
WRIGHTS DOWSON GROUP

*See over for
planning-in
dimensions*

Kynochs Industrial Estate Bideford Devon EX39 4DT

T: 01237 477465 E: sales@brittonprocol.com

www.brittonprocol.com



Dimensions for CVDL - (Material - S. S. / Aluminium)

MODEL	A	B	C	D	Mounting Holes	Wt. in Kg. (App)
CVDL-75	75	130	113	26	6 x M6	2.6 / 1.0
CVDL-100	100	175	156	26	6 x M8	3.2 / 1.3
CVDL-150	150	225	203	28	6 x M8	4.8 / 1.8
CVDL-200	200	280	254	28	6 x M8	6.3 / 2.8
CVDL-250	250	355	327	29	6 x M10	10.4 / 3.7
CVDL-300	300	405	378	29	8 x M10	12.2 / 4.5

We are continually developing our products and accordingly we reserve the right to change specifications and dimensions without prior notice.



BRITTON PROCOL VALVES

WRIGHTS DOWSON GROUP

Kynochs Industrial Estate Bideford Devon EX39 4DT

T: 01237 477465 E: sales@brittonprocol.com

www.brittonprocol.com