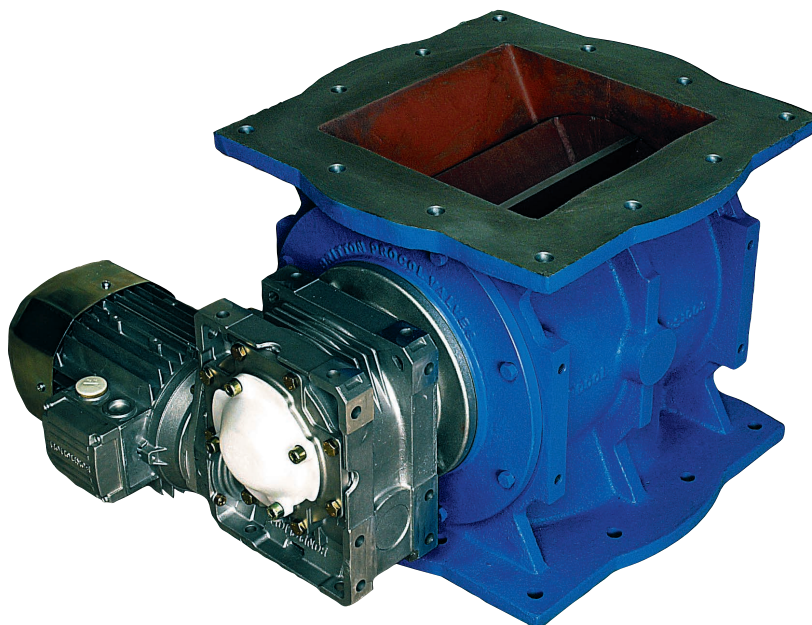


## ROTARY VALVES

### TYPE DRV

- FOR DISCHARGING FILTERS & CYCLONES
- DIRECT DRIVE FIXED SPEED ROTOR
- ROBUST CAST IRON BODY
- FLANGES DRILLED ROUND OR SQUARE
- 8 BLADE CLOSED END ROTOR
- LOW COST



DRV Rotary Valves are designed to discharge powders and granules from filters and cyclones. They are a single specification low cost range of valves designed to maintain high sealing and feeding efficiencies under arduous operating conditions.

The valves have robust cast iron bodies with stiffening ribs to prevent distortion under load and body inlets have integral shear planes to reduce product shearing loads. Valve bodies have square inlets and round outlets enabling the valves to be connected to equipment with either round or square connections.

The rotors are fabricated in mild steel with closed ends, 8 blades and heavy duty shafts to withstand the differential pressures normally found in filter and cyclone applications. Valve endplates are spigot located within the body to ensure concentricity and are fitted with inboard lip type shaft seals and ball bearings.

Drive is provided by a worm geared motor flange mounted from the valve endplate and direct coupled to the rotor shaft.



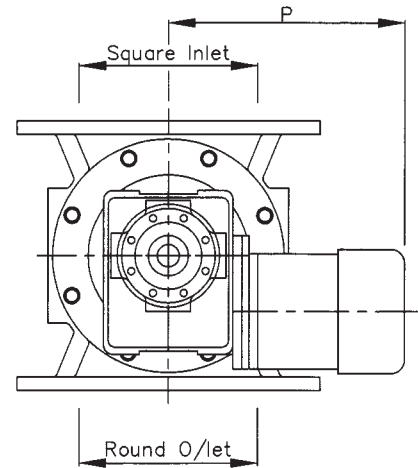
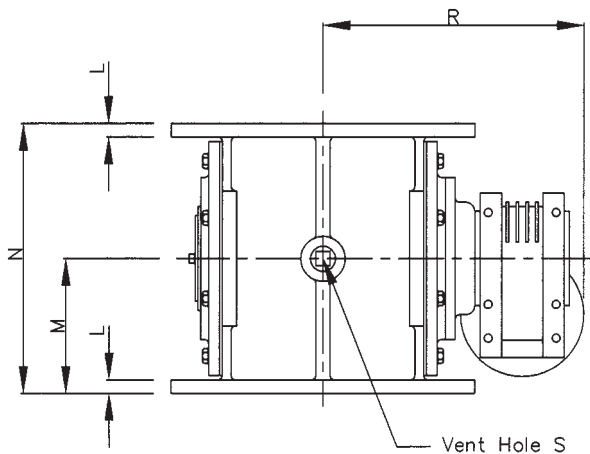
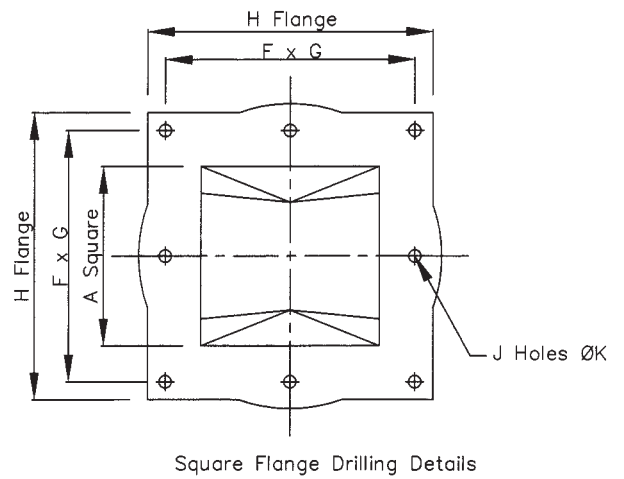
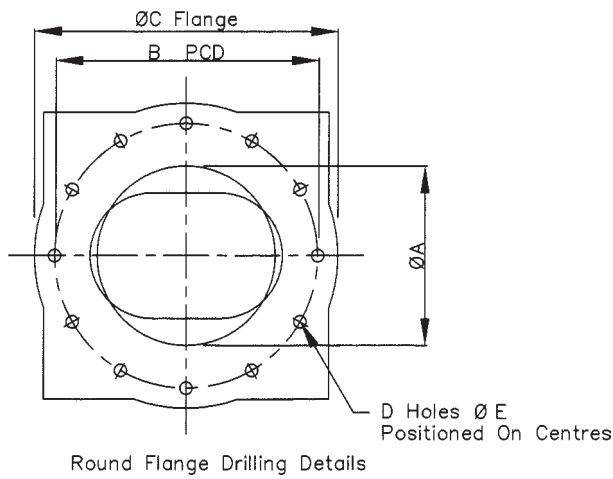
**BRITTON PROCOL VALVES**

WRIGHTS DOWSON GROUP

*See over for  
planning-in  
dimensions*

---

Kynochs Industrial Estate Bideford Devon EX39 4DT  
T: 01237 477465 F: 01237 421459 E: sales@brittonprocol.com  
www.brittonprocol.com



| Valve Size | Ltr/Rev | A   | B   | C   | D  | E  | F | G   | H   | J  | K  |
|------------|---------|-----|-----|-----|----|----|---|-----|-----|----|----|
| 150        | 2.29    | 150 | 240 | 285 | 8  | 12 | 2 | 105 | 250 | 8  | 12 |
| 200        | 6.0     | 200 | 295 | 340 | 12 | 14 | 2 | 140 | 320 | 8  | 14 |
| 250        | 11.89   | 250 | 355 | 405 | 12 | 14 | 3 | 110 | 370 | 12 | 14 |
| 300        | 20.4    | 300 | 410 | 460 | 12 | 14 | 3 | 126 | 420 | 12 | 14 |

| Valve Size | L  | M   | N   | P   | R   | S        | Kw   | Valve References |                |
|------------|----|-----|-----|-----|-----|----------|------|------------------|----------------|
|            |    |     |     |     |     |          |      | Round Flanges    | Square Flanges |
| 150        | 12 | 120 | 240 | 250 | 270 | 3/4" BSP | 0.37 | DRR 1001         | DRS 1001       |
| 200        | 15 | 150 | 300 | 275 | 295 | 1" BSP   | 0.37 | DRR 1002         | DRS 1002       |
| 250        | 15 | 172 | 344 | 325 | 330 | 1" BSP   | 0.75 | DRR 1003         | DRS 1003       |
| 300        | 15 | 225 | 450 | 375 | 355 | 1" BSP   | 0.75 | DRR 1004         | DRS 1004       |

**GENERAL DATA**

**Connection Flanges:** Round: Procol standard pattern  
Square: Procol standard pattern

**Maximum working pressure:** 0.3 bar g

**Maximum working temperature:** 100°C

**Cast body and endplates:** Grey cast iron

**Closed End Rotor with 8 Fixed Blades**

**Rotor material:** Mild steel

**Rotor blades:** Mild steel

**Shaft seal:** Rotary Lip Seals

**Bearings:** Inboard ball bearing sealed for life (none drive side only)



We are continually developing our products and accordingly we reserve the right to change specifications and dimensions without prior notice.

**BRITTON PROCOL VALVES**

WRIGHTS DOWSON GROUP

Kynochs Industrial Estate Bideford Devon EX39 4DT  
 T: 01237 477465 F: 01237 421459 E: sales@brittonprocol.com  
 www.brittonprocol.com